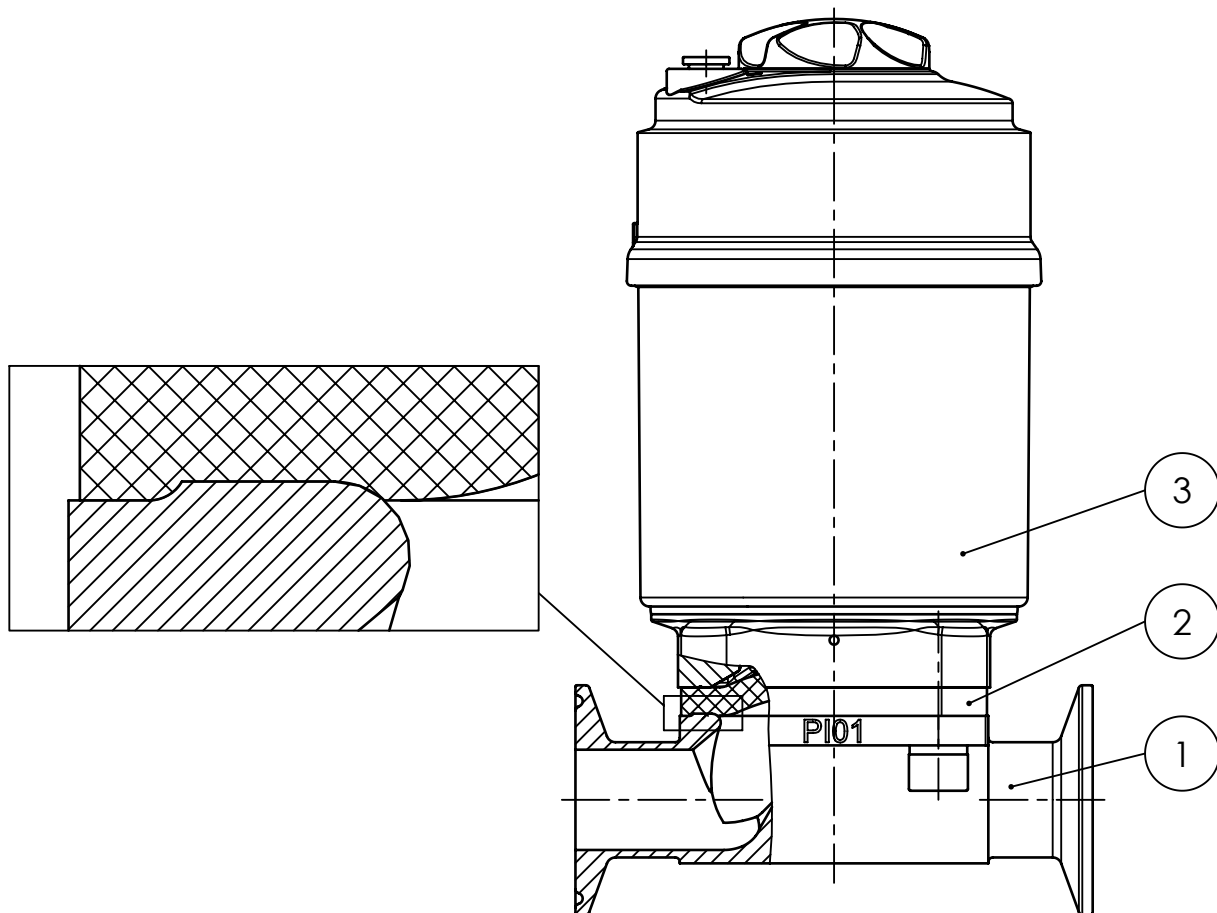


THIS DRAWING AND ALL INFORMATION SHOWN HEREON ARE EXCLUSIVE PROPERTY OF BÜRKERT AND ARE SUBMITTED ONLY ON A CONFIDENTIAL BASIS. THE RECIPIENT AGREES NOT TO REPRODUCE THE DRAWING, TO RETURN IT UPON REQUEST AND THAT NO DISCLOSURE OF THE DRAWING OR THE INFORMATION HEREON WILL BE MADE TO A THIRD PARTY WITHOUT PRIOR WRITTEN CONSENT OF BÜRKERT.



PI01	3323 / 3363	Electromotive actuator
	2063	Stainless steel actuator
	2031 / 2731	CLASSIC - pneumatical actuator
	2103 / 2303	ELEMENT - pneumatical actuator
Var.-Code	Type / Typ	Actuator / Antrieb

A	01		Position No., Identification PI01 added/Pos.Nr.u.Kennz.PI01 hinzu	2017-08-01
-	01		Initial Release / Erstfreigabe	2017-03-02
Version	Revision	Revision-No.	Revision Note	Date (yyyy-mm-dd)

		Bürkert		Material			
		Fluid Control Systems					
		D-74653 Ingelfingen					
dimensions without tolerances		Name	Date (yyyy-mm-dd)	2/2-way Valves 2/2-Wege-Ventile			
Linear Dimensions		Drawn	MA 2017-01-12				
Radii		Revised	STR 2017-08-21				
Angles		Status	Freigabe ohne SAP				
Classification-No.	Project-No.	Model	Document	Material-No.	Dok.type	Lang.	Sheet 1/1
	2103SK	2103	SK04		XXX	ML	format V4
							SW
Scale: - / -	Repl.for:	Document-Id.	9000380939	Var.BOM:	<input type="checkbox"/>	Mass:	0.00 g